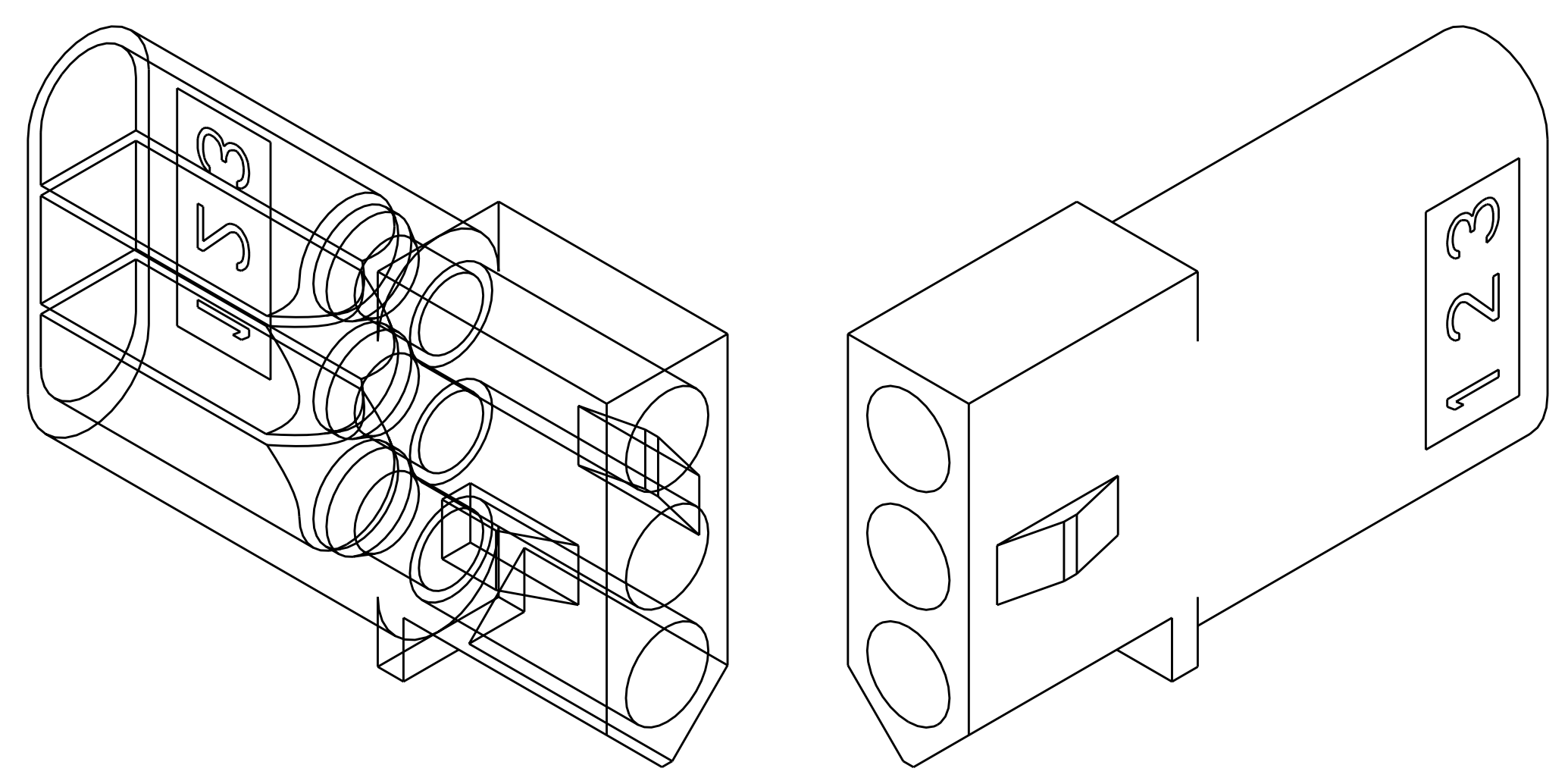
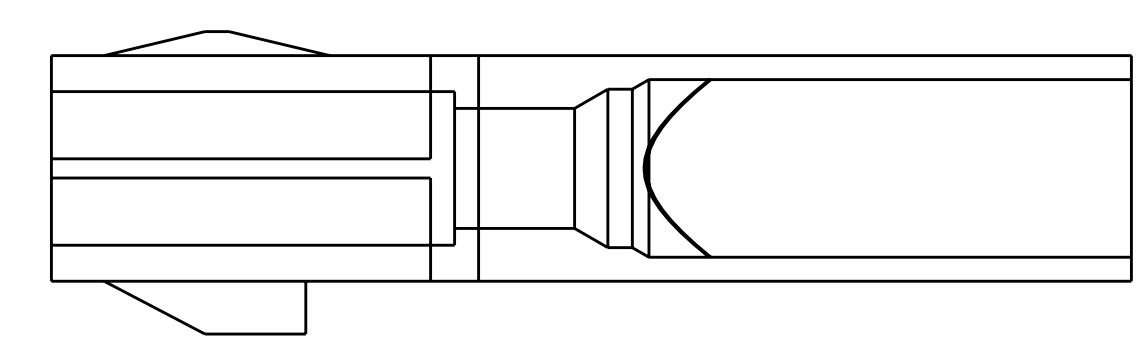
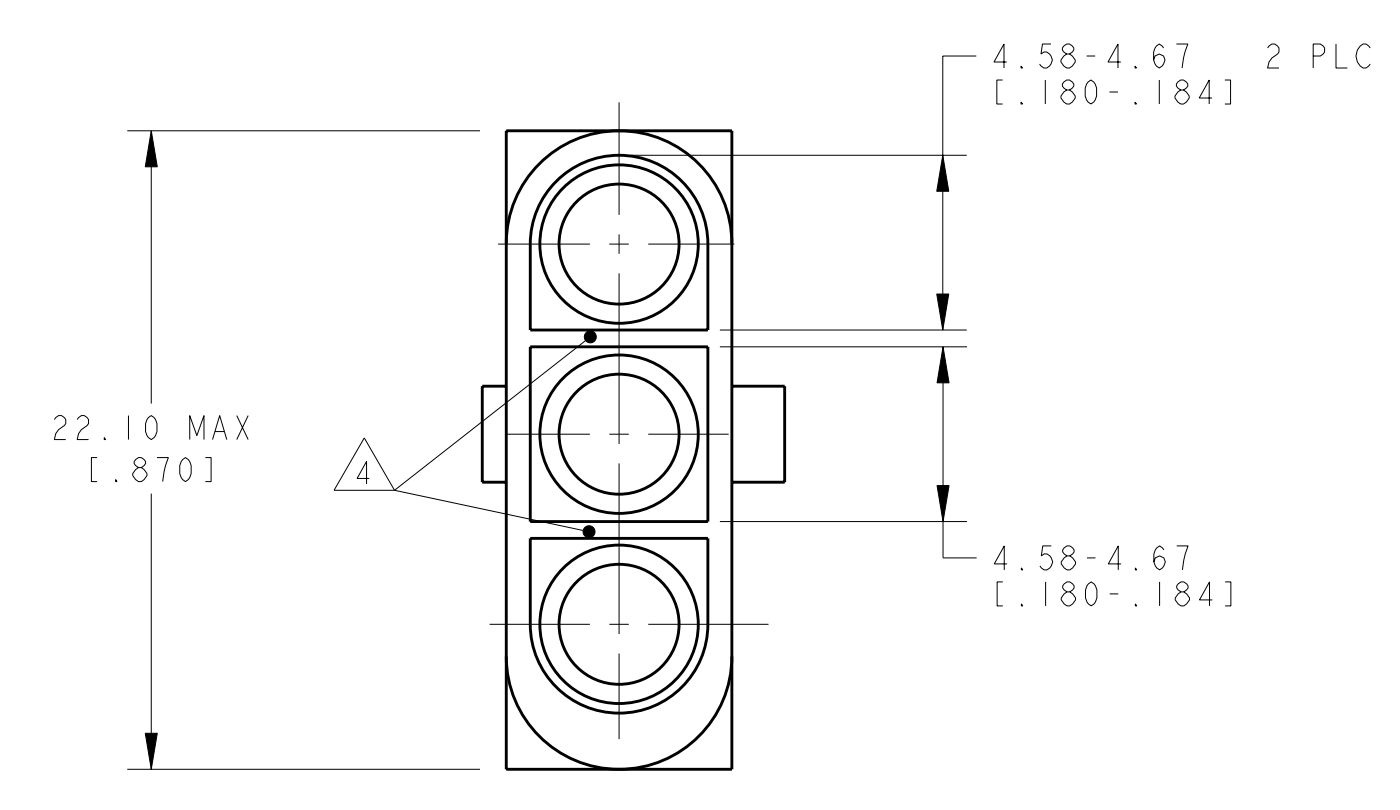
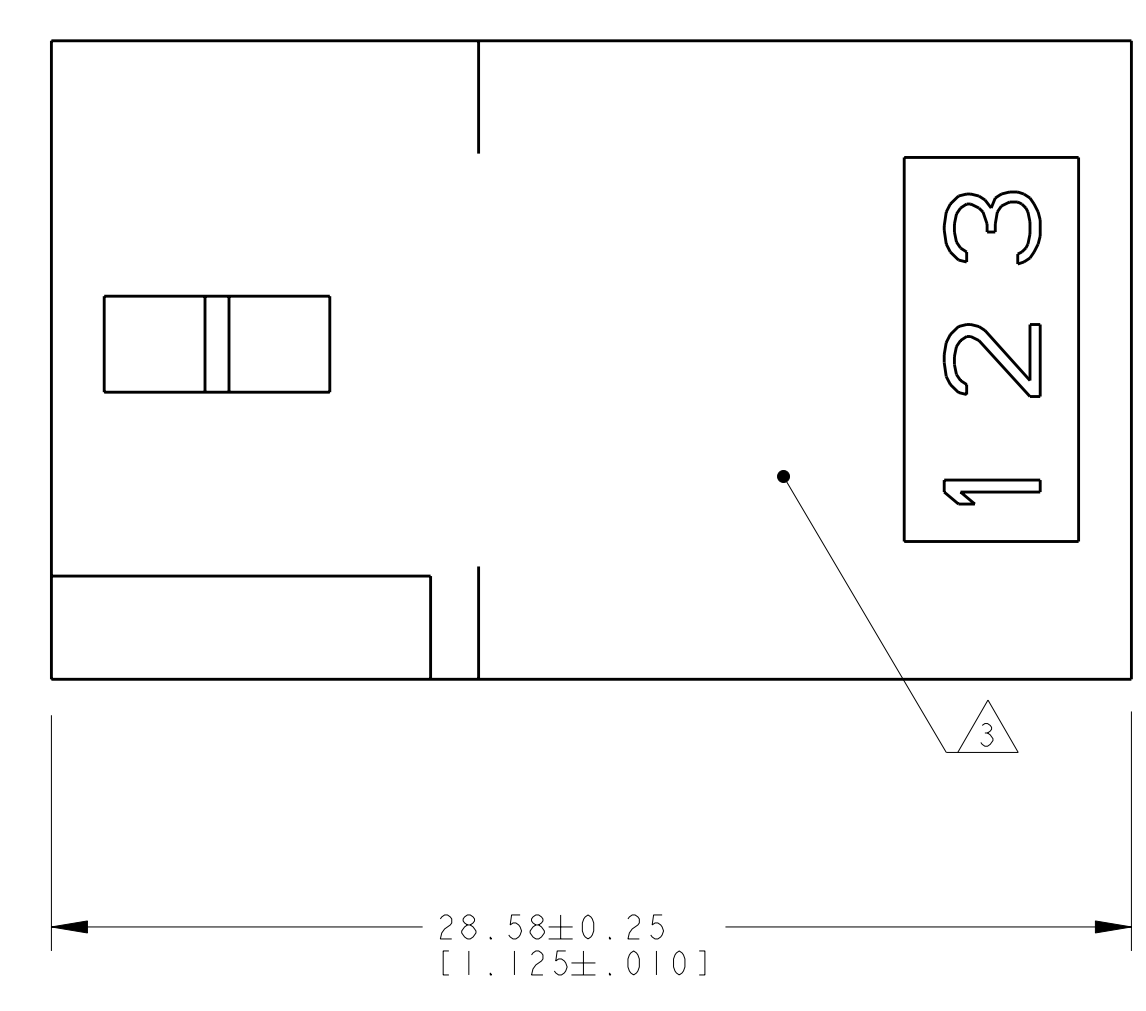
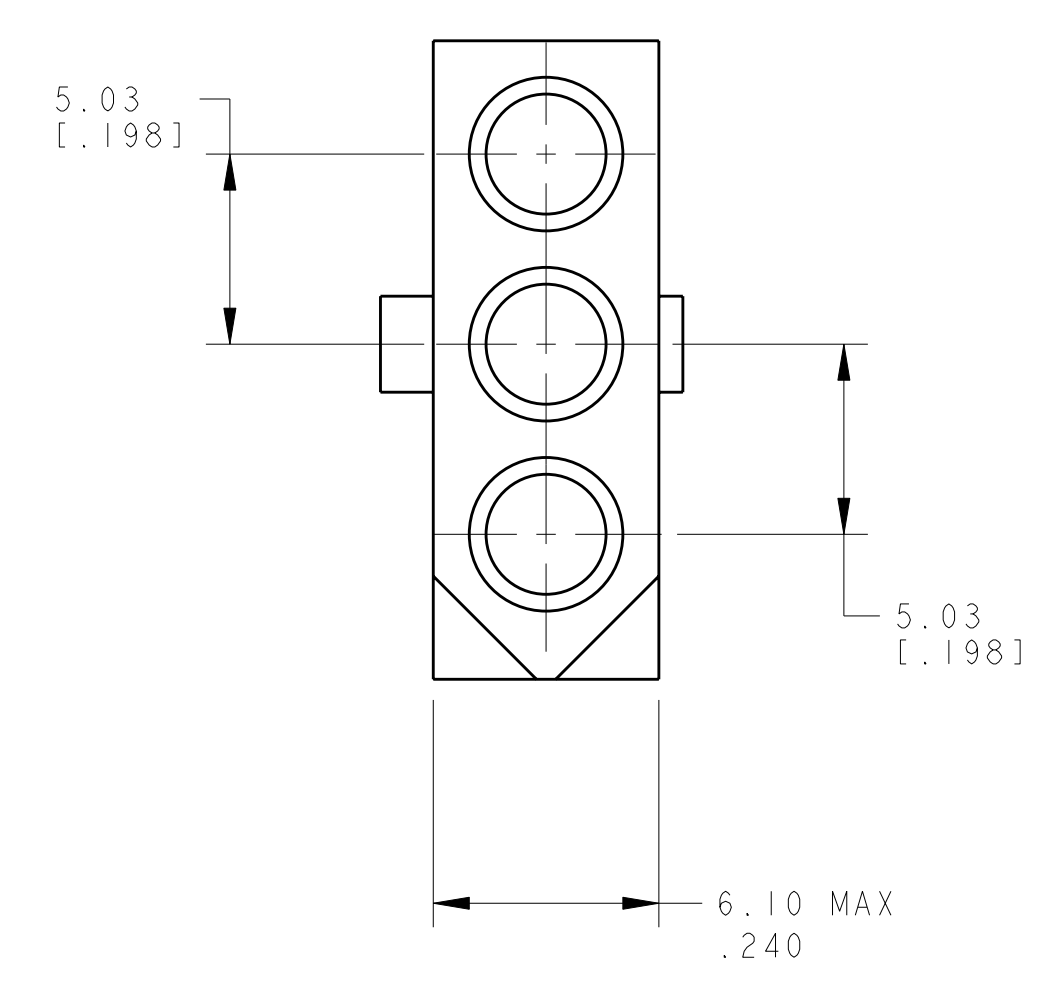


LOC	DIST	REVISIONS					
CM	00	P	LTB	DESCRIPTION	DATE	DWN	APVD
		K		REVISED PER 063B-0540-04	04AUG04	KW	DC
		K1		REVISED PER ECO-06-008661	19JUL06	KW	DC

- 1 MATERIAL: NYLON, UL94V-2 (NATURAL).
- 2 MARKING FOR UL AND CSA LOGO SHALL BE LOCATED ON ANY EXTERNAL SURFACE.
- 3 AMP LOGO AND CIRCUIT NUMBERS LOCATED IN AREA, EITHER SIDE, SIZE OPTIONAL, FROST BACKGROUND.
- 4 WALL THICKNESS TO MEASURE 0.36-0.46 [.014-.018]



METRIC

770264-1
PART NUMBER

<small>THIS DRAWING IS UNPUBLISHED. RELEASED FOR PUBLICATION BY TYCO ELECTRONICS CORPORATION. ALL RIGHTS RESERVED.</small>		DWN: K. WHITAKER 04AUG2004 CHK: D. COLEY 04AUG2004 APVD: D. COLEY 04AUG2004	tyco Electronics Tyco Electronics Harrisburg, PA 17105-3608
DIMENSIONS: mm [INCHES]	TOLERANCES UNLESS OTHERWISE SPECIFIED: 0 PLC ± 1 PLC ± 2 PLC ±0.13 (1.005) 3 PLC ± 4 PLC ± ANGLES ±40° 30'	NAME: RECEPTACLE, 3 CIRCUIT, POSITIVE LOCK, .093 COMMERCIAL PIN AND SOCKET PRODUCT SPEC: APPLICATION SPEC:	SIZE: A 00779 C=770264 RESTRICTED TO:
MATERIAL: -	FINISH: -	WEIGHT: -	SCALE: 5:1 SHEET 1 OF 1 REV: K1
CUSTOMER DRAWING			